

Dual Set Point Wind Alarm

Maximum's Dual Set-Point Wind Alarms are instruments used to measure and display wind speed from 0 to 99 MPH. Wind Alarm allows the user to set two different wind speed readings at which they would like to be notified, both visually and audibly, when the wind meets the set-points.

Features:

- LED digital readout with 5/8" digits
- Can be factory calibrated in MPH, km/h or Knots
- Dual set points (2 alarms) 0-99 MPH
 - Warning level: yellow
 - Control level: red, with 85dB SPL (piezo buzzer)
- Can be set to monitor high or low wind speeds
- 2 Relay outputs to operate external devices
 - One SPDT relay for each set point
- Non micro-processor circuit to minimize occurrence of latch-up
- Optional latching switch to save attached equipment from cycling on/off
- Operates on 12. Also available in an optional 24 VDC version
 - AC adaptors are available for both options
- NEMA Type 4X weather-tight polycarbonate case with clear cover
 - Power and sensor cables enter through bottom
 - Internal screw apertures for surface mounting
- Ships complete with 3-cup Hall Effect anemometer, rubber sensor boot, 60' shielded cable, 14" stainless steel mast and mounting hardware
- 5-year Maximum Written Limited Warranty

Specifications:

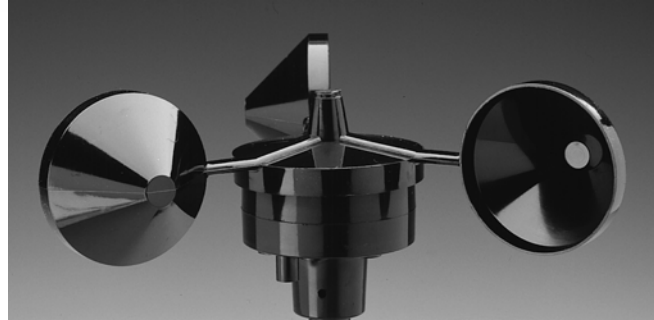
- Measurement range 0 – 99 mph in 1 MPH increments
- Accuracy +/- 2 MPH of input and +/- 1 digit
- Sample Rate 3 seconds
- Relays Two SPDT relays
(rated at 5A when normally open and 3A when normally closed at 30 VDC)
- Dimensions 6.3" height x 4.72" width x 3.29" depth
- Operating Temperature 32° – 122° F (0° – 50° C)
- Storage Temperature -40° – 122° F (-40° – 50° C)
- Power 9 – 12 VDC (110 VAC optional)
- Current draw 200 mA
- Sensor 3-cup, Hall Effect anemometer

Operation requires the user to set the thumb-wheel switches on the face of the instrument to the speeds at which you would like to be notified. When the wind speed meets or exceeds the setting on each thumb-wheel switch, a visual and audible (second switch only) alarm will notify the operator that wind speeds have met the set-points on the instrument.





WIND ALARM



3-CUP, HALL EFFECT ANEMOMETER



14" STAINLESS STEEL MAST



RUBBER SENSOR BOOT



HARDWARE PACK



60' 3-WIRE, SHIELDED CABLE

